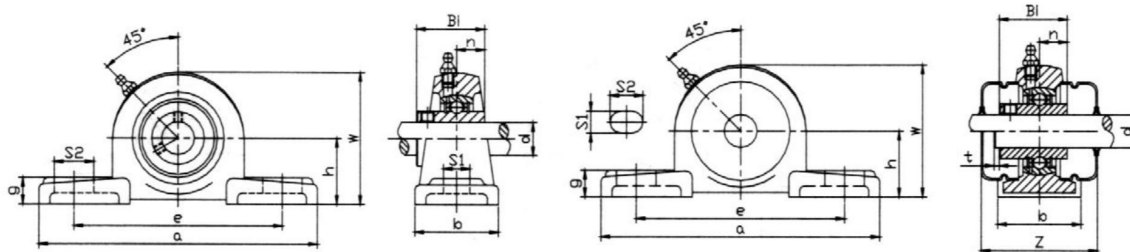


PILLOW BLOCKS 带立式座外球面轴承



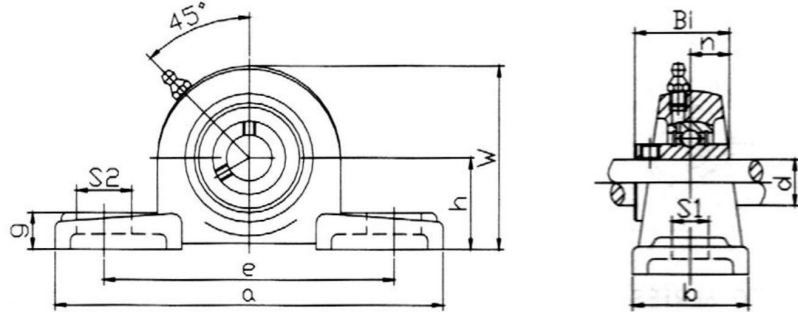
UCP200 SERIES
UCP200 系列

S-UCP200 SERIES S-UCP200 系列
SM-UCP200 SERIES SM-UCP200 系列

带座轴承型号 Bearing Unit NO.	轴 径 Shaft Diad		基本尺寸 Dimension (mm)												螺 栓 Bolt Used		轴承型号 Bearing NO.	轴承座型号 Housing NO.	座重量 Housing Wt (kg)
	(in)	(mm)	h	a	e	b	S2	S1	g	w	t	z	Bi	n	(mm)	(in)			
UCP201-8 202-9 202-10 203-11 UCP201 202 203	1/2 9/16 5/8 11/16	12 15 17	30.2	127	95	38	19	13	14	62	2	51	31	12.7	M10	3/8	UC201-8 202-9 202-10 203-11 UC201 202 203	P203	0.33
UCP204-12 UCP204	3/4	20	33.3	127	95	38	19	13	14	65	2	51	31	12.7	M10	3/8	UC204-12 UC204	P204	0.46
UCP205-13 205-14 205-15 205-16 UCP206	13/16 7/8 15/16 1	25	36.5	140	105	38	19	13	14	65	2	57	34.1	14.3	M10	3/8	UC205-13 205-14 205-15 205-16 UC206	P205	0.60
UCP206-17 206-18 206-19 206-20 UCP206	1-1/16 1-1/8 1-3/16 1-1/4	30	42.9	165	121	48	21	17	17	83	2	62	38.1	15.9	M14	1/2	UC206-17 206-18 206-19 206-20 UC207	P206	0.97
UCP207-20 207-21 207-22 207-23 UCP207	1-1/4 1-5/16 1-3/8 1-7/16	35	47.6	167	127	48	21	17	18	93	3	72	42.9	17.5	M14	1/2	UC207-20 207-21 207-22 207-23 UC207	P207	1.00
UCP208-24 208-25 UCP208	1-1/2 1-9/16	40	49.2	184	137	54	21	17	18	98	3	82	49.2	19.0	M14	1/2	UC208-24 208-25 UC208	P208	1.30
UCP209-26 209-27 209-28 UCP209	1-5/8 1-11/16 1-3/4	45	54	190	146	54	21	17	20	106	3	82	49.2	19.0	M14	1/2	UC209-26 209-27 209-28 UC209	P209	1.40
UCP210-29 210-30 210-31 210-32 UCP210	1-13/16 1-7/8 1-15/16 2	50	57.2	206	159	60	25	20	21	114	3	87	51.6	19.0	M16	5/8	UC210-29 210-30 210-31 210-32 UC210	P210	1.83
UCP211-32 211-33 211-34 211-35 UCP211	2 2-1/16 2-1/8 2-3/16	55	63.5	219	171	60	25	20	23	126	4	92	55.6	22.2	M16	5/8	UC211-32 211-33 211-34 211-35 UC211	P211	2.4
UCP212-36 212-37 212-38 212-39 UCP212	2-1/4 2-5/16 2-3/8 2-7/16	60	69.8	241	184	70	25	20	25	138	4	102	65.1	25.4	M16	5/8	UC212-36 212-37 212-38 212-39 UC212	P212	2.8
UCP213-40 213-41 UCP213	2-1/2 2-9/16	65	76.2	265	203	70	29	25	27	151	4	107	65.1	25.4	M20	3/4	UC213-40 213-41 UC213	P213	3.5
UCP214-42 214-43 214-44 UCP214	2-5/8 2-11/16 2-3/4	70	79.4	266	210	72	31	25	27	157			74.6	30.2	M20	3/4	UC214-42 214-43 214-44 UC214	P214	4.45
UCP215-45 215-46 215-47 215-48 UCP215	2-13/16 2-7/8 2-15/16 3	75	82.6	275	217	74	31	25	28	163			77.8	33.3	M20	3/4	UC215-45 215-46 215-47 215-48 UC215	P215	4.9
UCP216-50 UCP216	3-1/8	80	88.9	292	232	78	31	25	30	175			82.6	33.3	M20	3/4	UC216-50 UC216	P216	5.8
UCP217-52 UCP217	3-1/4	85	95.2	310	247	83	31	25	32	187			85.7	34.1	M20	3/4	UC217-52 UC217	P217	6.9
UCP218-56 UCP218	3-1/4	90	101.6	327	262	88	33	27	33	200			96.0	39.7	M22	7/8	UC218-56 UC218	P218	8.10

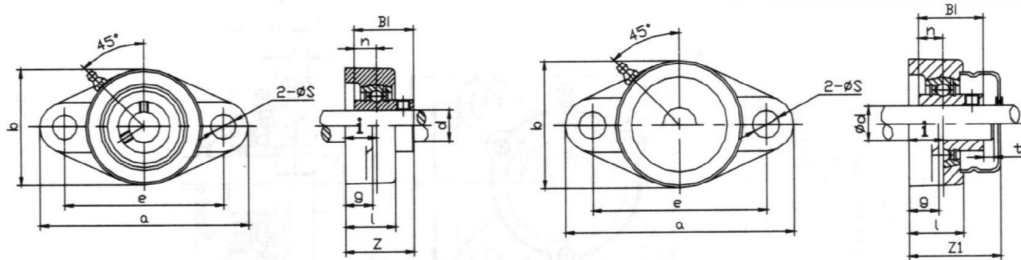
PILLOW BLOCKS 带立式座外球面轴承

UCP300 SERIES UCP300 系列



带座轴承型号 Bearing Unit NO.	轴 径 Shaft Diam		基本尺寸 Dimension (mm)										螺 栓 Bolt Used		轴承型号 Bearing NO.	轴承座型号 Housing NO.	座重量 Housing Wt (kg)
	(in)	(mm)	h	a	e	b	S2	S1	g	w	Bi	n	(mm)	(in)			
UCP305-14 305-15 305-16 UCP305	7/8 15/16 1	25	45	175	132	45	20	17	15	85	38	15	1/2	M14	UCP305-14 305-15 305-16 UCP305	P305	0.90
UCP306-18 306-19 UCP306	1-1/8 1-3/16	30	50	180	140	50	20	17	18	95	43	17	1/2	M14	UCP305-14 305-15 UCP305	P306	1.10
UCP307-20 307-21 307-22 307-23 UCP307	1-1/4 1-5/16 1-3/8 1-7/16	35	56	210	160	56	25	17	20	106	48	19	1/2	M14	UCP307-20 307-21 307-22 307-23 UCP307	P307	1.95
UCP308-24 308-25 UCP308	1-1/2 1-9/16	40	60	220	170	60	27	17	22	116	52	19	1/2	M14	UCP308-24 308-25 UCP308	P308	2.20
UCP309-26 309-27 309-28 UCP309	1-5/8 1-11/16 1-3/4	45	67	245	190	67	30	20	24	129	57	22	5/8	M14	UCP309-26 309-27 309-28 UCP309	P309	3.30
UCP310-30 310-31 UCP310	1-7/8 1-15/16	50	75	275	21	275	35	20	27	143	61	22	5/8	M16	UCP310-30 310-31 UCP310	P310	4.80
UCP311-32 311-34 311-35 UCP311	2 2-3/8 2-3/16	55	80	310	236	80	38	20	30	154	66	25	5/8	M16	UCP311-32 311-34 311-35 UCP311	P311	5.30
UCP312-36 312-38 312-39 UCP312	2-1/4 2-3/8 2-7/16	60	85	330	250	85	38	25	32	165	71	26	3/4	M20	UCP312-36 312-38 312-39 UC312	P312	6.30
UCP313-40 UCP313	2-1/2	65	90	340	260	90	38	25	33	176	75	30	3/4	M20	UC313-40 UC313	P313	8.00
UCP314-44 UCP314	2-3/4	70	95	360	280	90	40	27	35	187	78	33	7/8	M22	UC314-44 UC314	P314	8.30
UCP315-48 UCP315	3	75	100	380	290	100	40	27	35	198	82	32	7/8	M22	UC315-48 UC315	P315	9.50
UCP316-50 UCP316	3-1/8	80	106	400	300	110	40	27	40	210	86	34	7/8	M22	UC316-50 UC316	P316	12.50
UCP317-52 UCP317	3-1/4	85	112	420	320	110	45	33	40	220	96	40	1	M27	UC317-52 UC317	P317	14.50
UCP318-56 UCP318	3-1/2	90	118	430	330	110	45	33	45	235	96	40	1	M27	UC318-56 UC318	P318	20.40
UCP319-60 UCP319	3-3/4	95	125	470	360	120	50	36	45	250	103	41	1-1/8	M30	UC319-60 UC319	P319	22.30
UCP320-64 UCP320	4	100	140	490	380	120	50	36	50	275	108	42	1-1/8	M30	UC320-64 UC320	P320	25.00
UCP321		105	140	490	380	120	50	36	50	280	112	44		M33	UC321	P321	24.00
UCP322		110	150	520	400	140	55	40	55	300	117	46		M33	UC322	P322	27.50
UCP324		120	160	570	450	140	55	40	65	320	126	51		M33	UC324	P324	32.30
UCP326		130	180	600	480	140	55	40	75	355	135	54		M33	UC326	P326	41.00
UCP328		140	200	620	500	140	55	40	75	390	145	59		M33	UC328	P328	50.00

TWO-BOLT FLANGE UNITS 带菱形座外球面轴承

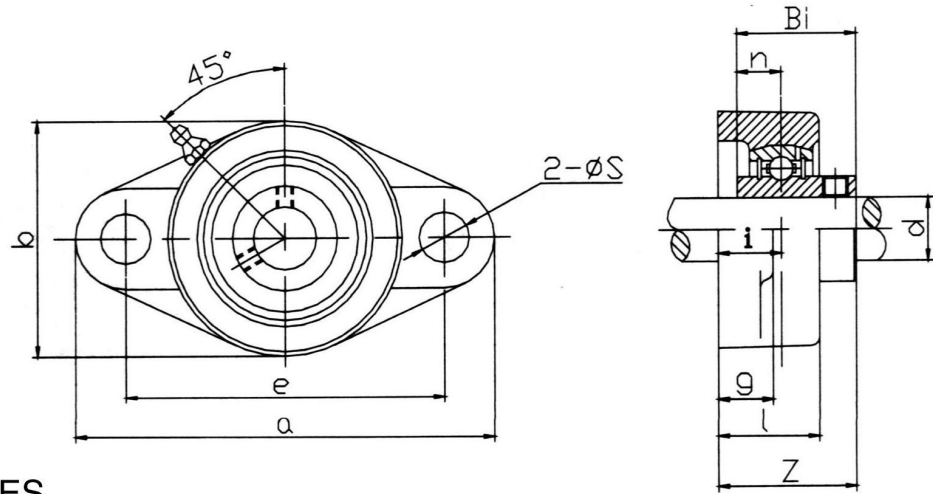


UCFL200 SERIES UCFL200 系列

S-UCFL200 SERIES S-UCFL200 系列 SM-UCFL200 SERIES SM-UCFL200 系列

带座轴承型号 Bearing Unit NO.	轴径 Shaft Dia		基本尺寸 Dimension (mm)												螺栓 Bolt Used		轴承型号 Bearing NO.	轴承座型号 Housing NO.	座重量 Housing Wt (kg)
	(in)	(mm)	a	e	i	g	l	s	b	t	z ₁	z	BI	n	(in)	(mm)			
UCFL201-8 202-9 202-10 203-11 UCFL201 202 203	1/2 9/16 5/8 11/16	12 15 17	99	76.5	15	13	25.5	11.5	57			31	26	10	M10	3/8	UCW201-8 202-9 202-10 203-11 UCW201 202 203	FL203	0.25
UCFL201-8 202-9 202-10 203-11 204-12 UCFL201 202 203 204	1/2 9/16 5/8 11/16 3/4	12 15 17 20	113	90	15	12	25.5	12	60	2	40.5	33.3	31	12.7	M10	3/8	UC201-8 202-9 202-10 203-11 204-12 UC201 202 203 204	FL204	0.28
UCFL205-13 205-14 205-15 205-16 UCFL205	13/16 7/8 15/16 1	25	130	99	16	14	27	16	68	2	44.5	35.7	34.1	14.3	M14	1/2	UC205-13 205-14 205-15 205-16 UC205	FL205	0.4
UCFL206-17 206-18 206-19 206-20 UCFL206	1-1/16 1-1/8 1-3/16 1-1/4	30	148	117	18	14	31	16	80	2	49	40.2	38.1	15.9	M14	1/2	UC206-17 206-18 206-19 206-20 UC206	FL206	0.54
UCFL207-20 207-21 207-22 207-23 UCFL207	1-1/4 1-5/16 1-3/8 1-7/16	35	161	130	19	16	34	16	90	3	55	44.4	42.9	17.5	M14	1/2	UC207-20 207-21 207-22 207-23 UC207	FL207	0.65
UCFL208-24 208-25 UCFL208	1-1/2 1-9/16	40	175	144	21	16	36	16	100	3	62	51.2	49.2	19	M14	1/2	UC208-24 208-25 UC208	FL208	0.8
UCFL209-26 209-27 209-28 UCFL209	1-5/8 1-11/16 1-3/4	45	188	148	22	18	38	19	108	3	63	52.2	49.2	19	M16	5/8	UC209-26 209-27 209-28 UC209	FL209	1.15
UCFL210-26 210-27 210-28 210-28 UCFL210	1-13/16 1-7/8 1-15/16 2	50	197	157	22	18	40	19	115	3	66.5	54.6	51.6	19	M16	5/8	UC210-29 210-30 210-31 210-32 UC210	FL210	1.25
UCFL211-29 211-30 211-31 211-32 UCFL211	2 2-1/16 2-1/8 2-3/16	55	224	184	25	20	43	19	130	4	71	58.4	55.6	22.2	M16	5/8	UC211-32 211-33 211-34 211-35 UC211	FL211	1.85
UCFL212-36 212-37 212-38 212-39 UCFL212	2-1/4 2-5/16 2-3/8 2-7/16	60	250	202	29	20	48	23	140	4	80	68.7	65.1	25.4	M20	3/4	UC212-36 212-37 212-38 212-39 UC212	FL212	2.10
UCFL213-40 213-41 UCFL213	2-1/2 2-9/16	65	258	210	30	24	50	23	155	4	83.5	69.7	65.1	25.4	M20	3/4	UC213-40 213-41 UC213	FL213	2.8
UCFL214-42 214-43 214-44 UCFL214	2-5/8 2-11/16 2-3/4	70	265	216	31	24	54	23	160			75.4	74.6	30.2	M20	3/4	UC214-42 214-43 214-44 UC214	FL214	3.2
UCFL215-45 215-46 215-47 215-48 UCFL215	2-13/16 2-7/8 2-15/16 3	75	275	225	34	24	56	23	165			78.5	77.8	33.3	M20	3/4	UC215-45 215-46 215-47 215-48 UC215	FL215	2.8
UCFL216-45 UCFL216	3-1/8	80	290	233	34	24	58	25	180			83.3	82.6	33.3	M22	7/8	UC216-50 UC216	FL216	3.53
UCFL217-45 UCFL217	3-1/4	85	305	248	36	26	63	25	190			87.6	85.7	34.1	M22	7/8	UC217-52 UC217	FL217	5.5
UCFL218-45 UCFL218	3-1/2	90	320	265	40	26	68	25	205			96.3	96	39.7	M22	7/8	UC218-56 UC218	FL218	6.0

TWO-BOLT FLANGE UNITS 带菱形座外球面轴承

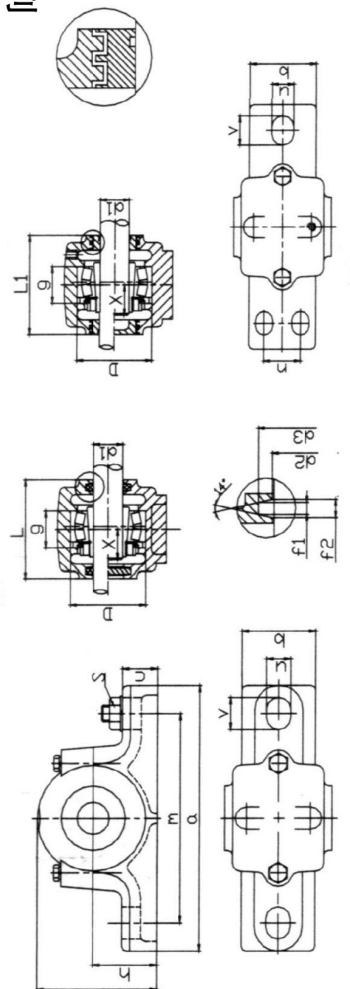


UCFL300 SERIES UCFL300 系列

带座轴承型号 BaergUnit NO.	轴 径 Shaft Diad		基本尺寸 Dimension(mm)										螺 栓 Bolt Used		轴承型号 Bearing NO.	轴承座型号 Housing NO.	座重量 Housing Wt (kg)
	(in)	(mm)	a	e	i	g	l	s	b	z	Bi	n	(in)	(mm)			
UCFL305-14 305-15 305-16 UCFL305	7/8 15-16 1	25	150	113	16	13	29	19	80	39	38	15	M16	5/8	UC305-14 305-15 305-16 UC305	FL305	0.7
UCFL306-18 306-19 UCFL306	1-1/8 1-3/16	30	180	134	18	15	32	23	90	44	43	17	M20	3/4	UC306-18 306-19 UC306	FL306	1.1
UCFL307-20 307-21 307-22 307-23 UCFL307	1-1/4 1-5/16 1-3/8 1-7/16	35	185	141	20	16	36	23	100	49	48	19	M20	3/4	UC307-20 307-21 307-22 307-23 UC307	FL307	1.2
UCFL308-24 308-25 UCFL308	1-1/2 1-9/16	40	200	158	23	17	40	23	112	56	52	19	M20	3/4	UC308-24 308-25 UC308	FL308	1.5
UCFL309-26 309-27 309-28 UCFL309	1-5/8 1-11/16 1-3/4	45	230	177	25	18	44	25	125	60	57	22	M22	7/8	UC309-26 309-27 309-28 UC309	FL309	2.2
UCFL310-30 310-31 UCFL310	1-7/8 1-15/16	50	240	187	28	19	48	25	140	67	61	22	M22	7/8	310-30 310-31 UC310	FL310	2.7
UCFL311-32 311-34 311-35 UCFL311	2 2-1/8 2-3/16	55	250	198	30	20	52	25	150	71	66	25	M22	7/8	UC311-32 311-34 311-35 UC311	FL311	3.15
UCFL312-36 312-38 312-39 UCFL312	2-1/4 2-3/8 2-7/16	60	270	212	33	22	56	31	160	78	71	26	M27	1	UC312-36 312-38 312-39 UC312	FL312	3.30
UCFL313-40 UCFL313	2-1/2	65	295	240	33	25	58	31	175	78	75	30	M27	1	UC313-40 UC313	FL313	5.00
UCFL314-44 UCFL314	2-3/4	70	315	250	36	28	61	35	185	81	78	33	M30	1-1/8	UC314-44 UC314	FL314	6.10
UCFL315-48 UCFL315	3	75	320	260	39	30	66	35	195	89	82	32	M30	1-1/8	UC315-48 UC315	FL315	6.50
UCFL316-50 UCFL316	3-1/8	80	355	285	38	32	68	38	210	90	86	34	M33	1-1/4	UC316-50 UC316	FL316	8.50
UCFL317-52 UCFL317	3-1/4	85	370	300	44	32	74	38	220	100	96	40	M33	1-1/4	UC317-52 UC317	FL317	10.50
UCFL318-56 UCFL318	3-1/2	90	385	315	44	36	75	38	235	100	96	40	M3	1-1/4	UC318-56 UC318	FL318	12.50
UCFL319-60 UCFL319	3-3/4	95	405	330	59	40	94	41	250	121	103	41	M36		UC319-60 UC319	FL319	16.00
UCFL320-64 UCFL320	4	100	440	360	59	40	94	44	270	125	108	42	M39		UC320-64 UC320	FL320	17.30
UCFL321		105	440	360	59	40	94	44	270	127	112	44	M39		UC321	FL321	15.00
UCFL322		110	470	390	60	42	96	44	300	131	117	46	M39		UC322	FL322	20.20
UCFL324		120	520	430	65	48	110	47	330	140	126	51	M42		UC324	FL324	29.50
UCFL326		130	550	460	65	50	115	47	360	146	135	54	M42		UC326	FL326	38.00
UCFL328		140	600	500	75	60	125	51	400	161	145	59	M45		UC328	FL328	54.00

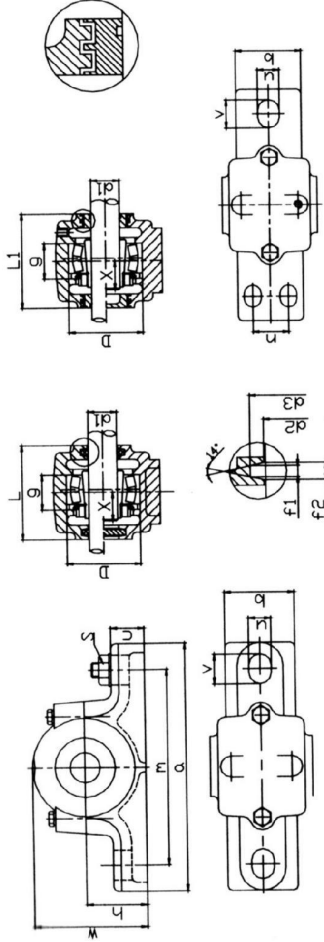
PLUMMER BLOCKS 带剖分座轴承

SN500 SERIES SN500 系列 SSN500 SERIES SSSN500 系列



带剖分轴承型号 Bearing Unit NO.	轴径 Shaft Dia		基本尺寸 Dimension(mm)																		重量 Housing wt (kg)	轴承型号 Housing NO.	紧定套 Asapler Sleeve	定位环 Locating Ring		轴承座型号 Hou			
	(mm)	(in)	D	a	b	c	h ₁₂	h ₂	L	L ₁	W	n	m	s	u	v	x	d ₁	d ₂	f ₁				f ₂	规格 Number		数量 QTY		
SN205	20	3/4	52	166	46	22	25	40	67	70	75	25	130	M12	15	20	22	21.5	31	3	4.2	1.4	1205K	H205	HE205	SR52×5	2	1	SN505
SN206	25	1	62	185	52	22	30	50	77	80	90	25	150	M12	15	20	22	26.5	38	4	5.4	2.15	1206K	H206	HE206	SR52×7	2	1	SN506
SN207	30	1-1/8	72	185	52	22	33	50	82	85	95	25	150	M12	15	20	24	31.5	45	4	5.4	2.35	1207K	H207	HE207	SR72×8	2	1	SN507
SN508	35	1-1/4	80	205	60	25	33	60	85	90	110	30	170	M12	15	20	26	36.5	48	4	5.4	3.0	1208K	H208	HE208	SR80×7.5	2	1	SN508
SN509	40	1-1/2	85	205	60	25	31	60	85	90	112	30	170	M12	15	20	28	41.5	53	4	5.4	3.2	1209K	H209	HE209	SR85×6	2	1	SN509
SN510	45	1-3/4	90	205	60	25	33	60	90	95	115	30	170	M12	15	20	28	46.5	58	4	5.4	3.4	1210K	H210	HE210	SR90×8	2	1	SN510
SN511	50	1-7/8	100	255	70	28	33	70	95	100	130	35	210	M16	18	23	30	51.5	67	5	6.9	5.3	1211K	H211	HE211	SR100×8	2	1	SN511
SN512	55	2-1/8	110	255	70	30	38	70	105	110	135	35	210	M16	18	23	32	56.5	72	5	6.9	7.5	1212K	H212	HE212	SR110×8	2	1	SN512
SN513	60	2-1/4	120	275	80	30	43	80	110	115	150	40	230	M16	18	23	36	62	77	5	6.8	9.9	1213K	H213	HE213	SR120×10	2	1	SSN513
SSN513	60	2-1/4	120	275	80	30	43	80	110	115	150	40	230	M16	18	23	36	62	77	5	6.8	9.9	1213K	H213	HE213	SR120×10	2	1	SSN513
SN515	65	2-1/2	130	280	80	30	41	80	115	120	155	40	230	M16	18	23	38	67	82	5	6.8	7.4	1215K	H215	HE215	SR130×8	2	1	SN515
SSN515	65	2-1/2	130	280	80	30	41	80	115	120	155	40	230	M16	18	23	38	67	82	5	6.8	9.3	1215K	H215	HE215	SR130×8	2	1	SSN515
SN516	70	2-3/4	140	315	90	32	43	95	120	125	175	50	260	M20	22	27	40	72	89	6	8.1	11.4	1216K	H216	HE216	SR140×8.5	2	1	SN516
SSN516	70	2-3/4	140	315	90	32	43	95	120	125	175	50	260	M20	22	27	40	72	89	6	8.1	14.5	1216K	H216	HE216	SR140×8.5	2	1	SSN516
SN517	75	3	150	320	90	32	46	95	125	130	185	50	260	M20	22	27	42	77	94	6	8.1	15.5	1217K	H217	HE217	SR150×9	2	1	SN517
SSN517	75	3	150	320	90	32	46	95	125	130	185	50	260	M20	22	27	42	77	94	6	8.1	17	1217K	H217	HE217	SR150×9	2	1	SSN517
SN518	80	3-1/4	160	345	100	35	62.4	100	145	150	195	50	290	M20	22	27	50	82	99	6	8.1	15.5	1218K	H218	HE218	SR160×11.2	2	1	SN518
SSN518	80	3-1/4	160	345	100	35	62.4	100	145	150	195	50	290	M20	22	27	50	82	99	6	8.1	20.2	1218K	H218	HE218	SR160×11.2	2	1	SSN518
SN519	85	3-1/2	170	345	100	35	53	112	140	145	210	50	290	M20	22	27	52	87	104	6	8.1	15.5	1219K	H219	HE219	SR170×10.5	2	1	SN519
SSN519	85	3-1/2	170	345	100	35	53	112	140	145	210	50	290	M20	22	27	52	87	104	6	8.1	15.5	1219K	H219	HE219	SR170×10.5	2	1	SSN519
SN520	90	3-1/2	180	380	110	40	70.3	112	160	165	218	60	320	M24	26	32	54	92	111	7	9.3	23	1220K	H220	HE220	SR180×12.1	2	1	SN520
SSN520	90	3-1/2	180	380	110	40	70.3	112	160	165	218	60	320	M24	26	32	54	92	111	7	9.3	27.5	1220K	H220	HE220	SR180×12.1	2	1	SSN520
SN522	100	4	200	410	120	45	80	125	175	180	240	70	350	M24	26	32	60	102	125	8	10.8	29	1222K	H222	HE222	SR200×13.5	2	1	SN522
SSN522	100	4	200	410	120	45	80	125	175	180	240	70	350	M24	26	32	60	102	125	8	10.8	35	1222K	H222	HE222	SR200×13.5	2	1	SSN522
SN524	110	4-1/4	215	410	120	45	86	140	185	190	270	70	350	M24	26	32	64	113	135	8	10.7	33.6	1224K	H224	HE224	SR215×14	2	1	SN524
SSN524	110	4-1/4	215	410	120	45	86	140	185	190	270	70	350	M24	26	32	64	113	135	8	10.7	43.8	1224K	H224	HE224	SR215×14	2	1	SSN524
SN526	115	4-1/2	230	445	130	50	90	150	190	194.5	290	70	380	M24	28	36	64	118	140	8	10.7	41	1226K	H226	HE226	SR230×13	2	1	SN526
SSN526	115	4-1/2	230	445	130	50	90	150	190	194.5	290	70	380	M24	28	36	64	118	140	8	10.7	50.4	1226K	H226	HE226	SR230×13	2	1	SSN526
SN528	125	5	250	500	150	50	98	150	205	210	305	80	420	M30	33	42	70	128	154	9	12.2	49	1228K	H228	HE228	SR250×15	2	1	SN528
SSN528	125	5	250	500	150	50	98	150	205	210	305	80	420	M30	33	42	70	128	154	9	12.2	62	1228K	H228	HE228	SR250×15	2	1	SSN528
SN530	135	5-1/4	270	530	160	60	106	160	220	225	325	90	450	M30	33	42	76	138	164	9	12.2	60	1230K	H230	HE230	SR270×16.5	2	1	SN530
SSN530	135	5-1/4	270	530	160	60	106	160	220	225	325	90	450	M30	33	42	76	138	164	9	12.2	75	1230K	H230	HE230	SR270×16.5	2	1	SSN530
SN532	140	5-1/2	290	550	160	60	114	170	235	240	345	90	470	M30	33	42	80	143	173	10	13.7	68.8	1232K	H232	HE232	SR290×17	2	1	SN532
SSN532	140	5-1/2	290	550	160	60	114	170	235	240	345	90	470	M30	33	42	80	143	173	10	13.7	87	1232K	H232	HE232	SR290×17	2	1	SSN532

PLUMMER BLOCKS 带剖分座轴承

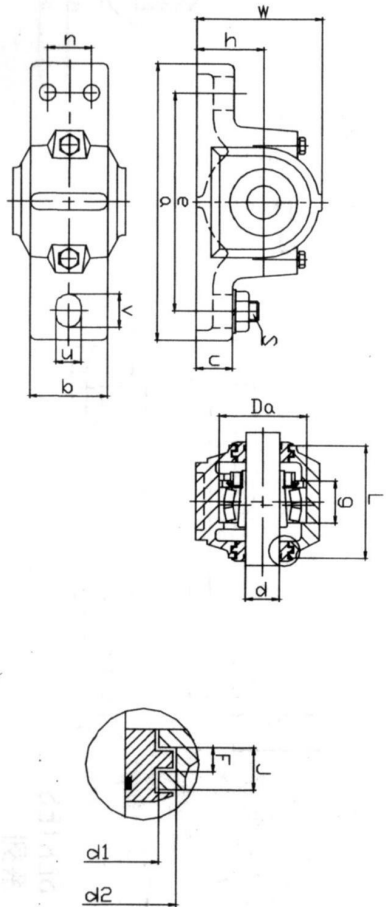


SN600 SERIES SN600 系列 SSN600 SERIES SSN600 系列

带座轴承型号 Bearing Unit NO.	轴径 Shaft Dia (mm)	基本尺寸 Dimension (mm)																			成组重量 Housing wt. (kg)	轴承座型号 Housing NO.	固定套 Adapter Sleeve	定位环 Locating Ring		轴承座型号 Hou	
		d	H8	a	b	c	d	H12	h	h12	L	L1	W	m	n	u	v	s	d	H12				f1	H12		f2
SN605	20	3/4	62	185	52	22	34	50	80	83	90	150	150	25	15	20	M12	21.5	31	3	4.2	3.1	1305K 2305K	HE305 HE2305	SR62×8.5 SR62×10	2	SN605
SN606	25	1	72	185	52	22	37	50	82	85	95	150	25	15	20	M12	26.5	38	4	5.4	3.1	1306K 2306K	H306 HE306	SR72×9 SR72×10	2	SN606	
SN607	30	1-1/8	80	205	60	25	41	60	90	93	110	170	30	15	20	M12	31.5	43	4	5.4	3.73	1307K 2307K	H307 HE307	SR80×10 SR80×10	2	SN607	
SN608	35	1-1/4	90	205	60	25	43	60	95	100	115	170	30	15	20	M12	36.5	48	4	5.4	4.6	1308K 2308K	H308 HE308	SR90×10 SR90×10	2	SN608	
SN609	40	1-1/2	100	255	70	28	46	70	105	110	130	210	35	18	23	M16	41.5	53	4	5.4	5.7	1309K 2309K	H309 HE309	SR100×10.5 SR100×10.5	2	SN609	
SSN609	40	1-1/2	100	255	70	28	46	70	105	110	130	210	35	18	23	M16	41.5	53	4	5.4	5.7	1309K 2309K	H309 HE309	SR100×10.5 SR100×10.5	2	SSN609	
SN610	45	1-3/4	110	255	70	30	50	70	115	120	135	210	35	18	23	M16	46.5	58	4	5.4	6.0	1310K 2310K	H310 HE310	SR110×11.5 SR110×11.5	2	SN610	
SSN610	45	1-3/4	110	255	70	30	50	70	115	120	135	210	35	18	23	M16	46.5	58	4	5.4	6.0	1310K 2310K	H310 HE310	SR110×11.5 SR110×11.5	2	SSN610	
SN611	50	2	120	275	80	30	53	80	120	125	150	230	40	18	23	M16	51.5	67	5	6.9	9.0	1311K 2311K	H311 HE311	SR120×12 SR120×12	2	SN611	
SSN611	50	2	120	275	80	30	53	80	120	125	150	230	40	18	23	M16	51.5	67	5	6.9	9.0	1311K 2311K	H311 HE311	SR120×12 SR120×12	2	SSN611	
SN612	55	2-1/8	130	280	80	30	56	80	125	130	155	230	40	18	23	M16	56.5	72	5	6.9	11.1	1312K 2312K	H312 HE312	SR130×12.5 SR130×10	2	SN612	
SSN612	55	2-1/8	130	280	80	30	56	80	125	130	155	230	40	18	23	M16	56.5	72	5	6.9	11.1	1312K 2312K	H312 HE312	SR130×12.5 SR130×10	2	SSN612	
SN613	60	2-1/4	140	315	90	32	58	95	130	135	175	260	50	22	27	M20	62	77	5	6.8	14.4	1313K 2313K	H313 HE313	SR140×12.5 SR140×10	2	SN613	
SSN613	60	2-1/4	140	315	90	32	58	95	130	135	175	260	50	22	27	M20	62	77	5	6.8	14.4	1313K 2313K	H313 HE313	SR140×12.5 SR140×10	2	SSN613	
SN615	65	2-1/2	160	345	100	35	65	100	140	145	195	290	50	22	27	M20	67	82	5	6.8	15.2	1315K 2315K	H315 HE315	SR160×14 SR160×10	2	SN615	
SSN615	65	2-1/2	160	345	100	35	65	100	140	145	195	290	50	22	27	M20	67	82	5	6.8	15.2	1315K 2315K	H315 HE315	SR160×14 SR160×10	2	SSN615	
SN616	70	2-3/4	170	345	100	35	68	112	145	150	212	290	50	22	27	M20	72	89	6	8.1	17.8	1316K 2316K	H316 HE316	SR170×14.5 SR170×10	2	SN616	
SSN616	70	2-3/4	170	345	100	35	68	112	145	150	212	290	50	22	27	M20	72	89	6	8.1	17.8	1316K 2316K	H316 HE316	SR170×14.5 SR170×10	2	SSN616	
SN617	75	3	180	380	110	40	70	112	155	160	218	320	60	26	32	M24	77	94	6	8.1	19.5	1317K 2317K	H317 HE317	SR180×14.5 SR180×10	2	SN617	
SSN617	75	3	180	380	110	40	70	112	155	160	218	320	60	26	32	M24	77	94	6	8.1	19.5	1317K 2317K	H317 HE317	SR180×14.5 SR180×10	2	SSN617	
SN618	80	3-1/4	190	400	110	33	74	112	160	165	230	320	60	26	35	M24	82	99	6	8.1	25.3	1318K 2318K	H318 HE318	SR190×15.5 SR190×10	2	SN618	
SSN618	80	3-1/4	190	400	110	33	74	112	160	165	230	320	60	26	35	M24	82	99	6	8.1	25.3	1318K 2318K	H318 HE318	SR190×15.5 SR190×10	2	SSN618	
SN619	85		200	420	120	36	77	125	170	175	245	350	70	26	35	M24	87	104	6	8.1	27	1319K 2319K	H319 HE319	SR200×16 SR200×10	2	SN619	
SSN619	85		200	420	120	36	77	125	170	175	245	350	70	26	35	M24	87	104	6	8.1	27	1319K 2319K	H319 HE319	SR200×16 SR200×10	2	SSN619	
SN620	90	3-1/2	215	420	120	38	83	140	175	180	280	350	70	26	35	M24	92	111	7	9.3	32	1320K 2320K	H320 HE320	SR215×18 SR215×10	2	SN620	
SSN620	90	3-1/2	215	420	120	38	83	140	175	180	280	350	70	26	35	M24	92	111	7	9.3	32	1320K 2320K	H320 HE320	SR215×18 SR215×10	2	SSN620	
SN622	100	4	240	460	130	40	90	150	190	195	300	390	70	28	38	M24	102	125	8	10.8	43.4	1322K 2322K	H322 HE322	SR240×20 SR240×10	2	SN622	
SSN622	100	4	240	460	130	40	90	150	190	195	300	390	70	28	38	M24	102	125	8	10.8	43.4	1322K 2322K	H322 HE322	SR240×20 SR240×10	2	SSN622	
SN624	110	4-1/4	260	540	160	50	96	160	205	20	325	450	90	33	42	M30	113	135	8	10.7	54.6	2324K 64	HE324	SR260×10	2	SN624	
SSN624	110	4-1/4	260	540	160	50	96	160	205	20	325	450	90	33	42	M30	113	135	8	10.7	54.6	2324K 64	HE324	SR260×10	2	SSN624	
SN626	115	4-1/2	280	560	160	50	103	170	215	220	350	470	90	33	42	M30	118	140	8	10.7	67.2	2326K	HE326	SR260×10	2	SN626	
SSN626	115	4-1/2	280	560	160	50	103	170	215	220	350	470	90	33	42	M30	118	140	8	10.7	67.2	2326K	HE326	SR260×10	2	SSN626	
SN628	125	5	300	630	170	55	112	180	235	240	375	520	90	35	45	M30	128	154	9	12.2	92.6	2328K	HE328	SR300×10	2	SN628	
SSN628	125	5	300	630	170	55	112	180	235	240	375	520	90	35	45	M30	128	154	9	12.2	92.6	2328K	HE328	SR300×10	2	SSN628	
SN630	135	5-1/4	320	680	180	55	118	190	245	250	395	560	90	35	45	M30	138	164	9	12.2	101.5	2330K	HE330	SR320×10	2	SN630	
SSN630	135	5-1/4	320	680	180	55	118	190	245	250	395	560	90	35	45	M30	138	164	9	12.2	101.5	2330K	HE330	SR320×10	2	SSN630	
SN632	140	5-1/2	340	710	190	60	124	200	255	260	415	580	100	42	52	M36	143	173	10	13.7	122.3	2332K	HE332	SR340×10	2	SN632	
SSN632	140	5-1/2	340	710	190	60	124	200	255	260	415	580	100	42	52	M36	143	173	10	13.7	122.3	2332K	HE332	SR340×10	2	SSN632	

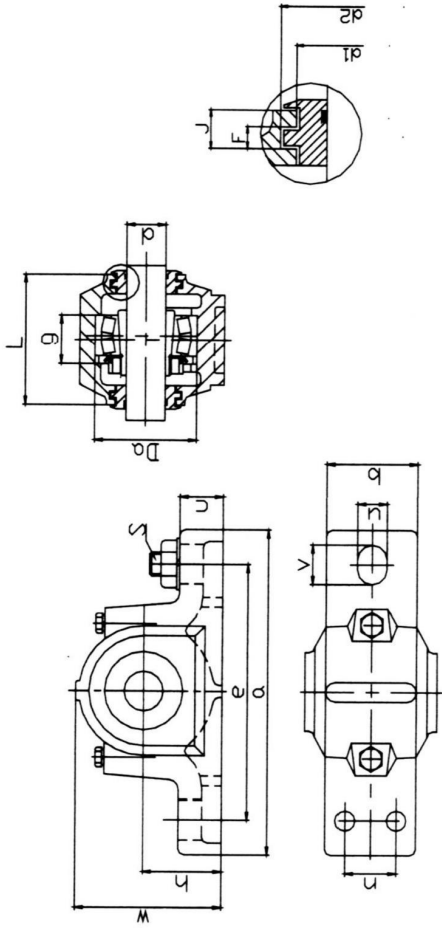
PLUMMER BLOCKS 带剖分座轴承

SNU500 SERIES SNU500 系列



带轴承型号 Bearing Unit NO.	轴径 Shaft Dia d		基本尺寸 Dimension (mm)																座壳重量 Housing wt (kg)	轴承型号 Housing NO.	定位环 Locating Ring		轴承座型号 Housing No.		
	d	H	a	e	b	u	v	c	W	L	d1	d2	n	J	F	g	Da	H8			S	Number		数量 QTY	
SNU505	20	40	165	130	46	13	20	19	71	67	31.5	39.5		7.5	5	25	52	M10		1.9	1205K	H205	SR52 × 5	2	SNU505
SNU506-605	25	50	185	150	52	13	22	22	87	77	36.5	44.5		7.5	5	32	62	M10		2.2	1206K	H206	SR62 × 5	2	SNU506-605
SNU507-606	30	50	185	150	52	13	20	22	92	82	46.5	54.5		7.5	5	34	72	M10		2.4	1207K 22217K	H207 H207	SR72 × 6.5 SR72 × 6.5	2	SNU507-606
SNU508-607	35	60	205	170	60	15	20	25	106	85	51.5	59.5		7.5	5	39	80	M12		3.2	1208K 22208K	H208 H208	SR80 × 8 SR80 × 8	2	SNU508-607
SNU509	40	60	205	170	60	15	20	25	109	85	56.5	64.5		8.5	5	30	85	M12		3.5	1209K 22209K	H209 H209	SR85 × 5.5 SR85 × 7	1	SNU509
SNU510-608	45	60	205	170	60	15	20	25	112	90	62	70.5		8.5	5	41	90	M12		3.85	1210K 22210K	H210 H310	SR90 × 10.5 SR90 × 9	2	SNU510-608
SNU511-609	50	70	255	210	70	18	23	28	127	95	67	75.5	35	8.5	5	44	100	M16	M12	5.2	1211K 22211K	H211 H311	SR100 × 11.5 SR100 × 9.5	2	SNU511-609
SNU512-610	55	70	255	210	70	18	23	30	133	105	72	80.5	35	8.5	5	48	110	M16	M12	6.7	1212K 22212K	H212 H312	SR110 × 13 SR110 × 10	2	SNU512-610
SNU513-611	60	80	275	230	80	18	24	30	148	110	77	85.5	35	8.5	5	51	120	M16	M12	7.9	1213K 22213K	H213 H313	SR120 × 14 SR120 × 10	2	SNU513-611
SNU515-612	65	80	280	230	80	18	26	30	154	115	87	95.5	40	8.5	5	56	130	M16	M12	7.7	1215K 22215K	H215 H315	SR130 × 15.5 SR130 × 12.5	2	SNU515-612
SNU516-613	70	95	315	260	90	22	29	32	175	120	92.5	101	40	10.5	5	58	140	M20	M12	11.0	1216K 22216K	H216 H316	SR140 × 16 SR140 × 12.5	2	SNU516-613
SNU517	75	95	320	260	90	22	30	32	181	125	97.5	106	50	10.5	5	61	150	M20	M12	12.7	1217K 22217K	H217 H317	SR150 × 16.5 SR150 × 12.5	2	SNU517
SNU518-615	80	100	345	290	100	22	27	35	192	140	102.5	111	50	10.5	5	65	160	M20	M16	14.8	1218K 22218K	H218 H318	SR160 × 17.5 SR160 × 12.5	2	SNU518-615
SNU519-616	85	112	345	290	100	22	27	35	209	145	131	141	50	11.5	5	68	170	M20	M16	15.5	1219K 22219K	H219 H319	SR170 × 18 SR170 × 12.5	2	SNU519-616
SNU520-617	90	112	380	320	110	26	32	40	215	160	137.5	147.5	60	11.5	6	70	180	M24	M16	18.4	1220K 22220K	H220 H320	SR180 × 17.5 SR180 × 12.5	2	SNU520-617
SNU522-619	100	125	410	350	120	26	32	45	239	175	147.5	157.5	70	11.5	6	80	200	M24	M16	24.8	1222K 22222K	H222 H322	SR200 × 21 SR200 × 13.5	1	SNU522-619
SNU524-620	110	140	410	350	120	26	32	45	271	185	157.5	167.5	70	11.5	6	86	215	M24	M16	32.2	1224K 22224K	H224 H324	SR215 × 14 SR215 × 10	1	SNU524-619
SNU526	115	150	445	380	130	28	35	50	290	190	167.5	177.5	70	13	6	90	230	M24	M20	39.8	1226K 22226K	H226 H326	SR230 × 13 SR230 × 10	1	SNU526
SNU528	125	150	500	420	150	35	42	50	302	205	177.5	187.5	80	13	6	98	250	M30	M24	48.8	1228K 22228K	H228 H328	SR250 × 15 SR250 × 10	1	SNU528
SNU530	135	160	530	450	160	35	42	60	323	220	192.5	202.5	90	13.5	6	106	270	M30	M24	56.5	1230K 22230K	H230 H330	SR270 × 16.5 SR270 × 10	1	SNU530
SNU532	140	170	550	470	160	35	42	60	344	235	202.5	212.5	90	13.5	6	114	290	M30	M24	63.5	1232K 22232K	H232 H332	SR290 × 17 SR290 × 10	1	SNU532

PLUMMER BLOCKS 带剖分座轴承

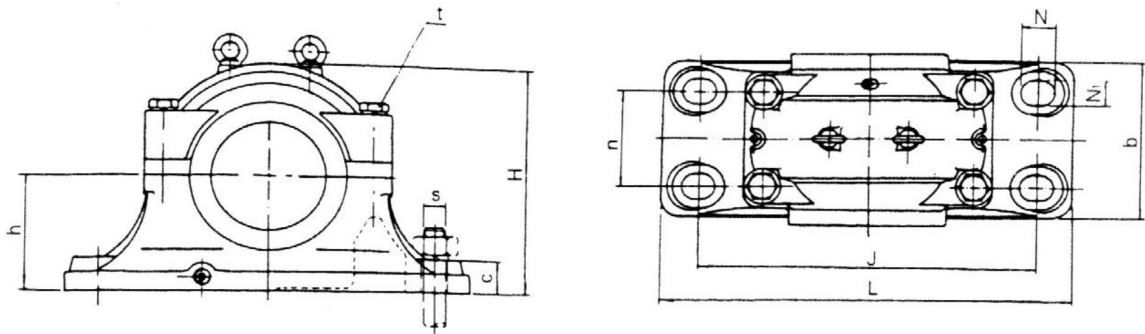


**SNG500 SERIES
SNG500 系列**

带剖分轴承型号 BaermgUnit NO.	轴径 Shaft Dia (mm)	基本尺寸 Dimension(mm)																座重量 wt (kg)	轴承型号 Housing NO.	定位环 Locating Ring		轴承型号 Hou sing No.
		H h12	a	e	b	u	v	c	w	L	d1 H12	d2 H12	n	J	F	g H12	Da H8			(2)	S (4)	
SNG507-606	30	50	185	150	52	13	20	22	92	82	46.5	54.5	7.5	5	34	72	M10	2.4	H207 22207K	SR72×8.5	2	SNG507-606
SNG508-607	35	60	205	170	60	15	20	25	106	85	51.5	59.5	7.5	5	39	80	M12	3.2	H307 22208K	SR72×5.5 SR80×10.5	2	SNG508-607
SNG509	40	60	205	170	60	15	20	25	109	85	56.5	64.5	8.5	5	30	85	M12	3.5	H309 22209K	SR85×5.5 SR85×7	1	SNG509
SNG510-608	45	60	205	170	60	15	20	25	112	90	62	70.5	8.5	5	41	90	M12	3.85	H310 22210K	SR90×10.5 SR90×9	2	SNG510-608
SNG511-609	50	70	255	210	70	18	23	28	127	95	67	75.5	35	5	44	100	M16	5.2	H311 22211K	SR100×11.5 SR100×9.5	2	SNG511-609
SNG512-610	55	70	255	210	70	18	23	30	133	105	72	80.5	35	5	48	110	M16	6.7	H312 22212K	SR110×13 SR110×10	2	SNG512-610
SNG513-611	60	80	275	230	80	18	24	30	148	110	77	85.5	35	5	51	120	M16	7.9	H313 22213K	SR120×14 SR120×10	2	SNG513-611
SNG515-612	65	80	280	230	80	18	26	30	154	115	87	95.5	40	5	56	130	M16	7.7	H315 22215K	SR130×15.5 SR130×12.5	2	SNG515-612
SNG516-613	70	95	315	260	90	22	29	32	175	120	92.5	101	40	5	58	140	M20	11.0	H317 22216K	SR140×16 SR140×12.5	2	SNG516-613
SNG517	75	95	320	260	90	22	30	32	181	125	97.5	106	50	5	61	150	M20	12.7	H317 22217K	SR150×16.5 SR150×12.5	2	SNG517
SNG518-615	80	100	345	290	100	22	27	35	192	140	102.5	111	50	5	65	160	M20	14.8	H318 23218K	SR160×17.5 SR160×12.5	2	SNG518-615
SNG519-616	85	112	345	290	100	22	27	35	209	145	131	141	50	6	68	170	M20	15.5	H319 22219K	SR170×18 SR170×12.5	2	SNG519-616
SNG520-617	90	112	380	320	110	26	32	40	215	160	137.5	147.5	60	11.5	6	180	M24	18.4	H320 22220K	SR180×17.5 SR180×12.5	2	SNG520-617
SNG522-619	100	125	410	350	120	26	32	45	239	175	147.5	157.5	70	11.5	6	200	M24	24.8	H322 23222K	SR200×21 SR200×13.5	2	SNG522-619
SNG524-620	110	140	410	350	120	26	32	45	271	185	157.5	167.5	70	11.5	6	215	M24	32.2	H324 23224K	SR215×14 SR215×10	1	SNG524-619
SNG526	115	150	445	380	130	28	35	50	290	190	167.5	177.5	70	13	6	230	M24	39.8	H326 23226K	SR230×13 SR230×10	1	SNG526
SNG528	125	150	500	420	150	35	42	50	302	205	177.5	187.5	80	13	6	250	M30	48.8	H328 23228K	SR250×15 SR250×10	2	SNG528
SNG530	135	160	530	450	160	35	42	60	323	220	192.5	202.5	90	13.5	6	270	M30	56.5	H330 23230K	SR270×16.5 SR270×10	2	SNG530
SNG532	140	170	550	470	160	35	42	60	344	235	202.5	212.5	90	13.5	6	290	M30	63.5	H332 23232K	SR290×17 SR290×10	1	SNG532

PLUMMER BLOCKS 带剖分座轴承

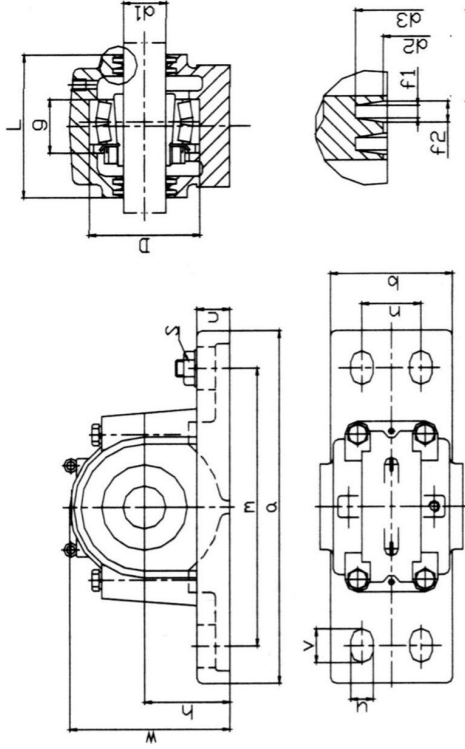
SD200、SD300 系列大孔径



型 号		轴 径		D H8	L	b	c	h h13	g H13	g1 H13	W	H
固定端	自由端	d	d _L									
SD234G	SD234Z	170	190	310	620	250	60	180	96	86	270	360
SD236G	SD236Z	180	200	320	650	260	60	190	96	86	280	380
SD238G	SD238Z	190	210	340	700	280	65	200	102	92	290	400
SD240G	SD240Z	200	220	360	740	290	65	210	108	98	300	420
SD244G	SD244Z	220	240	400	820	320	70	240	118	108	330	475
SD248G	SD248Z	240	260	440	880	330	85	260	130	120	340	515
SD252G	SD252Z	260	280	480	940	360	85	280	140	130	370	560
SD256G	SD256Z	280	300	500	990	380	100	300	140	130	390	590
SD260G	SD260Z	300	320	540	1060	400	100	325	150	140	410	640
SD264G	SD264Z	320	340	580	1110	430	110	355	160	150	440	690

SD334G	SD334Z	170	190	360	740	290	65	210	130	120	300	420
SD336G	SD336Z	180	200	380	780	310	70	225	136	126	320	450
SD338G	SD338Z	190	210	400	820	320	70	240	142	132	330	475
SD340G	SD340Z	200	220	440	880	330	85	260	148	138	350	500
SD344G	SD344Z	220	240	480	940	360	85	280	155	145	360	550
SD348G	SD348Z	240	260	500	990	380	100	300	165	155	390	590
SD352G	SD352Z	260	280	540	1060	400	100	325	175	165	410	640
SD356G	SD356Z	280	300	580	1110	430	110	355	185A	175	440	690

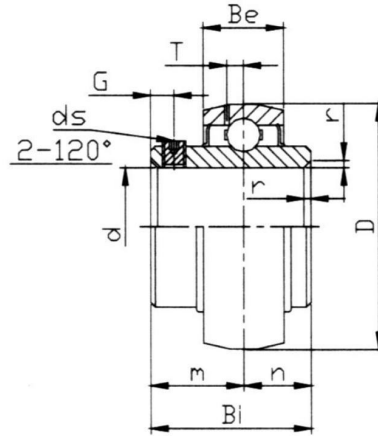
PLUMMER BLOCKS 带剖分座轴承



SD500 SERIES SD600 SERIES SD500 系列 SD500 系列

带座轴承型号 Bearing Unit NO.	轴径 Shaft Dia ϕ (mm)	基本尺寸 Dimension (mm)																			座重量 Housing wt (kg)	轴承型号 Bearing NO.	紧定套 Adapter Sleeve	定位环 Locating Ring		轴承型号 Housing No.
		D	a	b	c	g	h	L	W	m	n	u	v	S	d2	d3	f1	f2	规格 Number	数量 QTY						
SD534	150	320	230	60	106	180	270	360	510	140	36	52	M30	153	183	10	13.8	92	22234K	H3134	SR310 x 10	2	SD534			
SD536	160	320	240	60	106	190	280	380	540	150	36	52	M30	163	193	10	13.8	105	22236K	H3136	SR320 x 10	2	SD536			
SD538	170	340	260	65	112	200	290	400	570	160	36	55	M30	173	203	10	13.8	125	22238K	H3138	SR340 x 10	2	SD538			
SD540	180	360	270	65	118	210	300	420	610	170	36	55	M30	183	213	10	13.8	140	22240K	H3140	SR360 x 10	2	SD540			
SD544	200	400	300	70	128	240	330	475	680	190	43	62	M36	203	240	11	15.7	200	22244K	H3144	SR400 x 10	2	SD544			
SD548	220	440	310	85	140	260	340	515	740	200	43	62	M36	223	260	11	15.7	230	22248K	H3148	SR440 x 10	2	SD548			
SD552	240	480	340	85	150	280	370	560	790	210	43	62	M46	243	286	12	17.4	300	22252K	H3152	SR480 x 10	2	SD552			
SD556	260	500	370	100	150	300	390	590	830	230	50	70	M42	263	306	12	17.4	350	22256K	H3156	SR500 x 10	2	SD556			
SD560	280	540	390	100	160	325	410	640	890	250	50	70	M42	283	332	13	19.1	450	22260K	H3160	SR540 x 10	2	SD560			
SD564	300	580	410	110	170	355	440	690	930	270	58	77	M48	303	352	13	19.1	550	22264K	H3164	SR580 x 10	2	SD564			
SD634	150	360	270	65	130	210	300	420	610	170	36	55	M30	153	183	10	13.8	140	22234K	H2334	SR320 x 10	2	SD634			
SD636	160	380	290	70	136	225	320	450	640	180	43	62	M36	163	193	10	13.8	170	22236K	H2336	SR340 x 10	2	SD636			
SD638	170	400	300	70	142	240	330	475	680	190	43	62	M36	173	203	10	13.8	200	22238K	H2338	SR360 x 10	2	SD638			
SD640	180	420	320	85	148	250	350	500	710	200	43	62	M36	183	213	10	13.8	230	22240K	H2340	SR400 x 10	2	SD640			
SD644	200	460	330	85	155	280	360	550	770	210	43	62	M36	203	240	11	15.7	290	22244K	H2344	SR440 x 10	2	SD644			
SD648	220	500	370	100	165	300	390	590	830	230	50	70	M42	223	260	11	15.7	350	22248K	H2348	SR480 x 10	2	SD648			
SD652	240	540	390	100	175	325	410	640	890	250	50	70	M42	243	286	12	17.4	450	22252K	H2352	SR500 x 10	2	SD652			
SD656	260	580	410	110	185	355	440	690	930	270	58	77	M48	263	306	12	17.4	550	22256K	H2356	SR540 x 10	2	SD656			

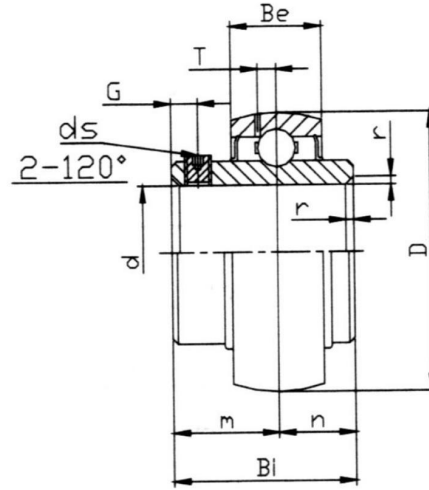
BALL BEARING INSERTS 外球面球轴承



UC200 SERIES UC200 系列

座轴承型号 Housing NO.	轴 径 Shaft Diad1		基本尺寸 Dimension (mm)									额定动载荷 Basic Load Rating (kg)	额定静负荷 Basic Static Load Rating (kg)	座重量 Housing wt (kg)
	(in)	(mm)	D	Bi	Be	r	n	m	G	ds	T			
UCW201-8 202-10 203-11 UCW201 202 203	1/2 5/8 11/16	12 15 17	40	26	15	1	10	16	4	10-32UHF M5 x 0.8	4	900	580	0.19 0.18 0.17 0.15 0.20 0.18
UC201-8 202-10 203-11 204-12 UC201 202 203 204	1/2 5/8 11/16 3/4	12 15 17 20	47	31	17	1	12.7	18.3	4.5	1/4-28 M6 x 0.75	3.7	1000	630	0.20 0.19 0.18 0.16 0.21 0.19 0.18 0.16
UC205-14 205-15 205-16 UC205	7/8 15/16 1	25	52	34.1	17	1.5	14.3	19.8	5	1/4-28 M6 x 0.75	3.9	1100	710	0.22 0.20 0.19 0.19
UC206-17 206-18 206-19 206-20 UC206	1-1/16 1-1/8 1-3/16 1-1/4	30	62	38.1	19	1.5	15.9	22.2	5	5/16-24 M8 x 1	5	1540	1020	0.36 0.34 0.32 0.31 0.31
UC207-20 207-21 207-22 207-23 UC207	1-1/4 1-5/16 1-3/8 1-7/16	35	72	42.9	20	2	17.5	25.4	6	5/16-24 M8 x 1	5.7	2030	1400	0.52 0.50 0.48 0.46 0.46
UC208-24 208-25 UC208	1-1/2 1-9/16	40	80	49.2	21	2	19.0	30.2	8	5/16-24 M8 x 1	6.2	2300	1600	0.68 0.64 0.63
UC209-26 209-27 209-28 UC209	1-5/8 1-11/16 1-3/4	45	85	49.2	22	2	19.0	30.2	8	5/16-24 M8 x 1	6.4	2560	1810	0.78 0.74 0.70 0.68
UC210-30 210-31 UC210	1-7/8 1-15/16	50	90	51.6	24	2	19.0	32.6	10	3/8-24 M10 x 1.25	6.5	2750	2020	0.85 0.80 0.78
UC211-32 211-34 211-35 UC211	2 2-1/8 2-3/16	55	100	55.6	25	2.5	22.2	33.4	10	3/8-24 M10 x 1.25	7	3400	2550	1.22 1.10 1.05 1.07
UC212-36 212-38 212-39 UC212	2-1/4 2-3/8 2-7/16	60	110	65.1	27	2.5	25.4	39.7	10	3/8-24 M10 x 1.25	7.6	4100	3150	1.65 1.49 1.42 1.52
UC213-40 UC213	2-1/2	65	120	65.1	28	2.5	25.4	39.7	10	3/8-24 M10 x 1.25	8.9	4480	3470	1.88 1.80
UC214-44 UC214	2-3/4	70	125	74.6	30	2.5	30.2	44.4	12	7/16-20 M12 x 1.5	8.9	4870	3810	2.07 2.06
UC215-47 215-48 UC215	2-15/16 3	75	130	77.8	32	2.5	33.3	44.5	12	7/16-20 M12 x 1.5	8.9	5200	4200	2.21 2.11 2.19
UC216-50 UC216	3-1/8	80	140	82.6	33	3	33.3	49.3	14	7/16-20 M12 x 1.5	9.6	5700	4550	2.90 2.82
UC217-52 UC217	3-1/4	85	150	85.7	35	3	34.1	51.6	14	7/16-20 M12 x 1.5	10	6600	5320	3.56 3.46
UC218-56 UC218	3-1/2	90	160	96.0	37	3	39.7	56.3	15	7/16-20 M12 x 1.5	11	7550	6170	4.62 4.53

BALL BEARING INSERTS 外球面球轴承



UC300 SERIES UC300 系列

座轴承型号 Housing NO.	轴 径 Shaft Dia ¹		基本尺寸 Dimension(mm)									额定动载荷 Basic Load Rating (kg)	额定静负荷 Basic Static Load Rating (kg)	座重量 Housing wt (kg)
	(in)	(mm)	D	Bi	Be	r	n	m	G	ds	T			
UC305-14 305-15 305-16 UC305	1/8 15/16 1	25	62	38	21	2	15	23	6	1/4-28 M6 × 0.75	6.1	1760	1160	0.39 0.37 0.35 0.35
UC306-18 306-19 UC306	1-1/8 1-3/16	30	72	43	23	2	17	26	6	1/4-28 M6 × 0.75	6.7	2119	1445	0.60 0.54 0.56
UC307-20 307-21 307-22 UC307	1-1/4 1-5/16 1-3/8	35	80	48	25	2.5	19	29	8	5/16-24 M8 × 1	7.4	2620	1830	0.81 0.79 0.75 0.75
UC308-24 308-25 UC308	1-1/2 1-9/16	40	90	52	27	2.5	19	33	10	3/8-24 M10 × 1.25	8.2	3200	2280	1.07 1 1
UC309-26 309-27 309-28 UC309	1-5/8 1-11/16 1-3/4	45	100	57	30	2.5	22	35	10	3/8-24 M10 × 1.25	9	4150	3060	1.39 1.33 1.28 1.26
UC310-30 310-31 UC310	1-7/8 1-15/16	50	110	61	32	3	22	39	12	7/16-20 M12 × 1.5	10	4850	3640	1.75 1.67 1.65
UC311-32 311-34 311-35 UC311	2 2-1/2 2-3/16	55	120	66	34	3	25	41	12	7/16-20 M12 × 1.5	10.7	5620	4280	2.3 2.2 2 2.1
UC312-36 312-38 312-39 UC312	2-1/4 2-3/8 2-7/16	60	130	71	36	3.5	26	45	12	7/16-20 M12 × 1.5	11.5	6420	4960	2.8 2.6 2.6 2.5
UC313-40 UC313	2-1/2	65	140	75	38	3.5	30	45	12	7/16-20 M12 × 1.5	12.2	7370	5780	3.46 3.32
UC314-44 UC314	2-3/4	70	150	78	40	3.5	33	45	12	7/16-20 M12 × 1.5	13	8170	6180	3.9 3.9
UC315-48 UC315	3	75	160	82	42	3.5	32	50	14	1/2-20 M14 × 1.5	13.8	8900	7310	4.33 4.18
UC316-50 UC316	3-1/8	80	170	86	44	3.5	34	52	14	1/2-20 M14 × 1.5	14.5	9650	8330	5.25
UC317-52 UC317	3-1/4	85	180	96	46	4	40	56	16	5/8-20 M16 × 1.5	15	10410	9130	7 6.7
UC318-56 UC318	3-1/2	90	190	96	48	4	40	56	16	5/8-20 M16 × 1.5	15.9	11300	10300	7.65 7.60
UC319-60 UC319	3-3/4	95	200	103	50	4	41	62	16	5/8-20 M16 × 1.5	16.7	12300	11600	8.75 8.75
UC320-64 UC320	4	100	215	108	54	4	42	66	18	3/4-16 M18 × 1.5	18	14300	12800	10.03 10.28
UC321		105	225	112	56	4	44	68	18	M18 × 1.5	19	18700	16300	12.3
UC322		110	240	117	60	4	46	71	18	M18 × 1.5	21	20900	18300	14.5
UC324		120	260	126	64	4	51	75	18	M18 × 1.5	22	21100	18400	18.7
UC326		130	280	135	68	5	54	81	20	M20 × 1.5	23	23400	20400	23.3
UC328		140	300	145	73	5	59	86	20	M20 × 1.5	25	26000	22700	28.9